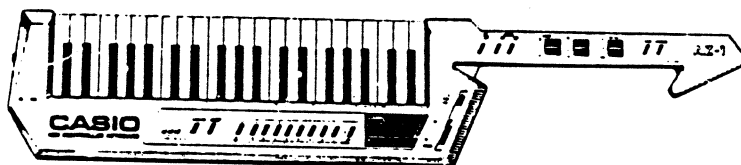


SERVICE MANUAL & PARTS LIST

AZ-1

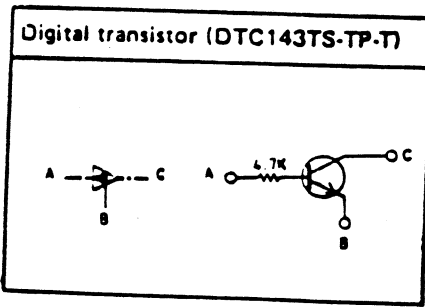
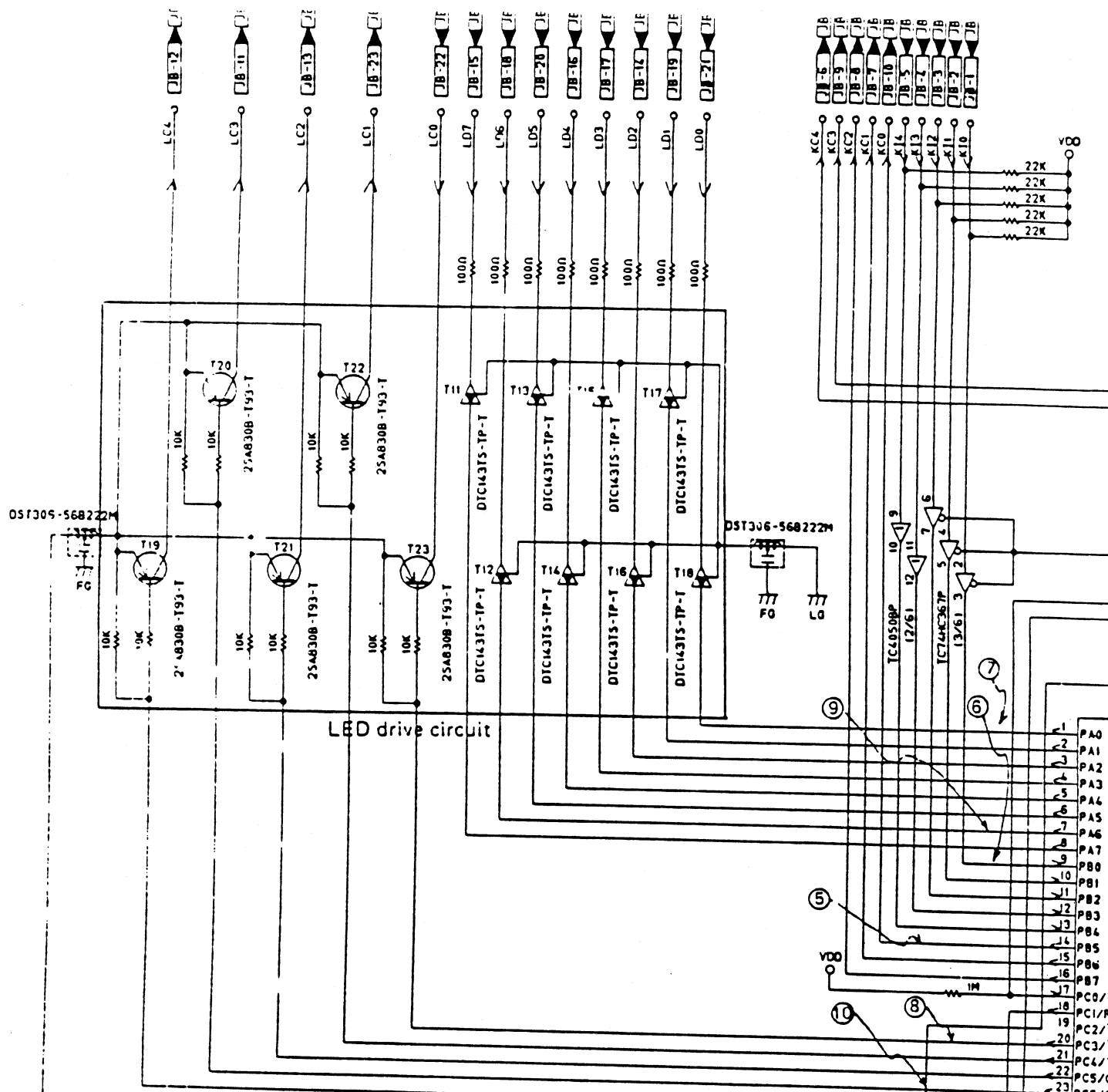


AZ-1

CASIO

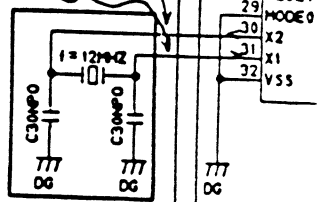
CONTENTS
AZ-1 Service Manual

	PAGE
1. SCHEMATIC DIAGRAM	3 A3
1-1. Main PCB M3267-MA1M	3 A3
1-2. Keyboard (A) PCB M3267-KY1	4 A5
1-3. Keyboard (B) PCB M3267-KY2M	5 A7
1-4. Console (A) PCB M3267-CN1M	6 A8
1-5. Console (B) PCB M3267-CN2M, CN3M, CN4	7 A9
1-6. Console (C) PCB M3267-CN6, CN7, CN8, WHEEL	8 A10
1-7. LED Display PCB M3267-CN9	9 A11
1-8. Power Switch & MIDI PCB M3267-CN5M	10 A12
2. PCB VIEW & MAJOR CHECKPOINTS	11 A13
3. MAJOR WAVEFORMS	12 B1
4. BLOCK DIAGRAM	13 B3
5. PCB LAYOUT	14 B5
6. CPU (μ PD78C11-030)	15 B7
7. KEYBOARD	17 B9
7-1. Key Touch Speed Detection	17 B9
7-2. Key Matrix	18 B10
7-3. Pin Functions of the Key Touch Control LSI (MSM6200)	19 B11
7-4. Key Touch Control LSI (MSM6200) ACCESS	20 B12
8. PANEL SWITCH CONTROL	22 C1
9. LED DRIVE CIRCUIT	22 C1
10. VR CONTROL CIRCUIT	23 C2
11. POWER SUPPLY CIRCUIT	25 C4
12. RESET CIRCUIT	26 C5
13. SELF-CHECK FUNCTION	27 C6
14. ADJUSTMENT	28 C7
14-1. AVDD Adjustment	28 C7
14-2. VSS1 Adjustment	28 C7
14-3. After Touch Adjustment	29 C8
15. TROUBLESHOOTING	30 C9
 PARTS LIST	 31 D1
Parts Diagram	39 D9
Enlarged Schematic Diagram of PCB M3267-MA1M	3 D12
Operation Manual	E1



VDD	5 V
AVDD	5 V
LD	4.4 V

	GND	Power source
TC40H004	7pin	14pin
TC74HC367	8pin	16pin
TC4050	8pin	16pin
NJM4558	4pin	8pin

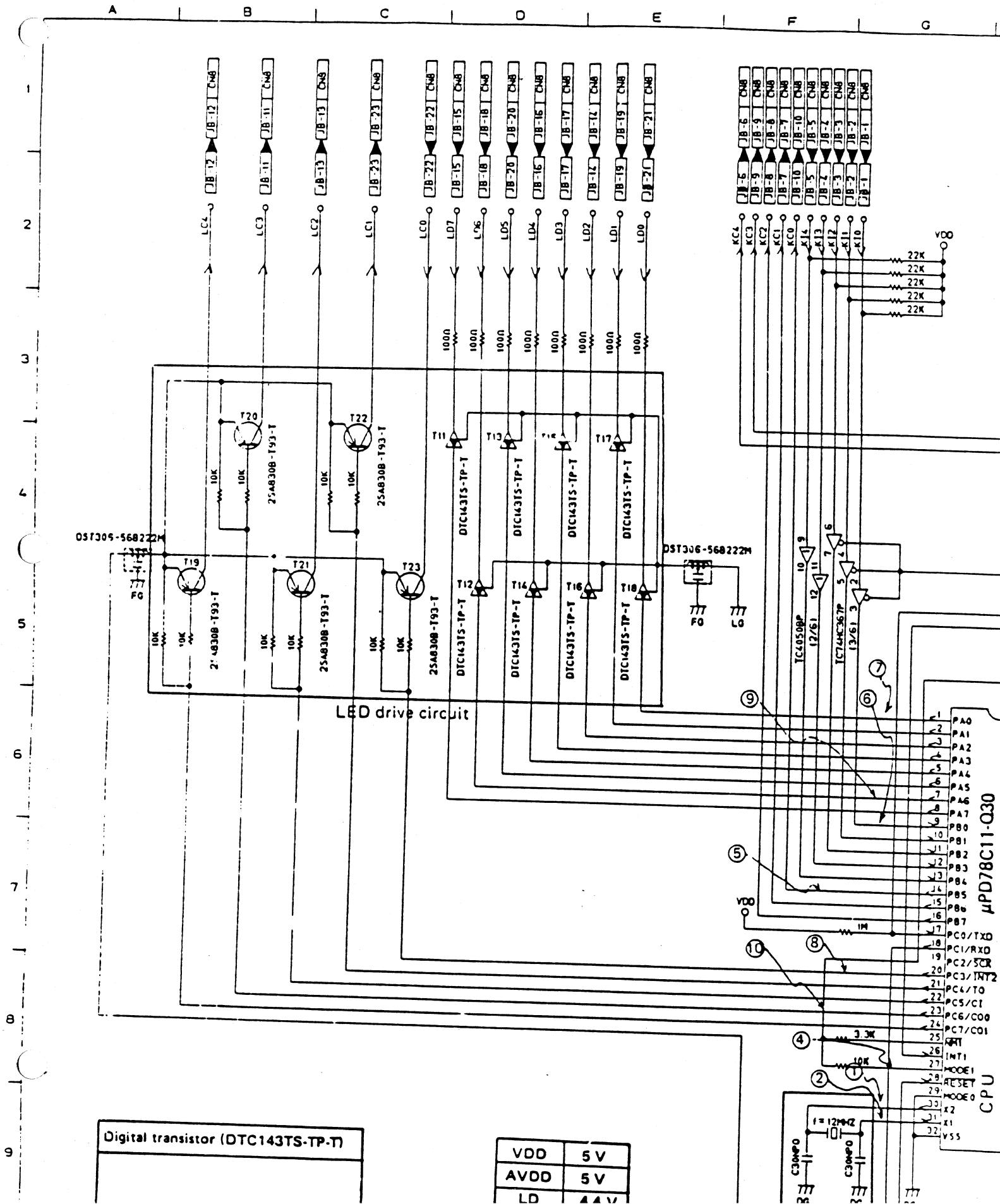


3
4
5
6
7
8
9
10

A B C D E F G

1. SCHEMATIC DIAGRAM

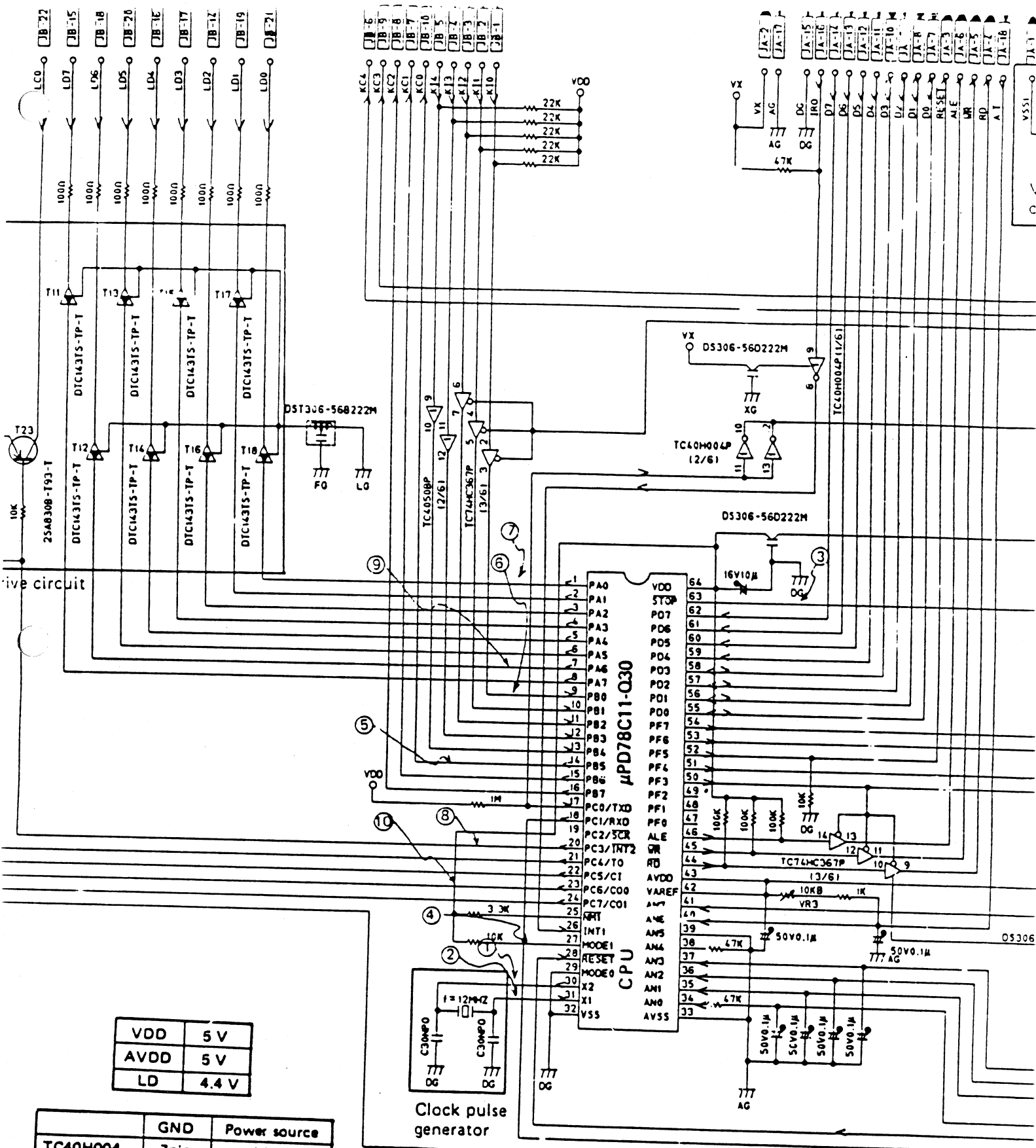
1-1. Main PCB M3267-MA1M



Digital transistor (DTC143TS-TP-T)

VDD	5V
AVDD	5V
LD	4.4V

μPD78C11-Q30 CPU



VDD	5 V
AVDD	5 V
LD	4.4 V

	GND	Power source
TC40H004	7pin	14pin
TC74HC367	8pin	16pin
TC4050	8pin	16pin
NJM4558	4pin	8pin

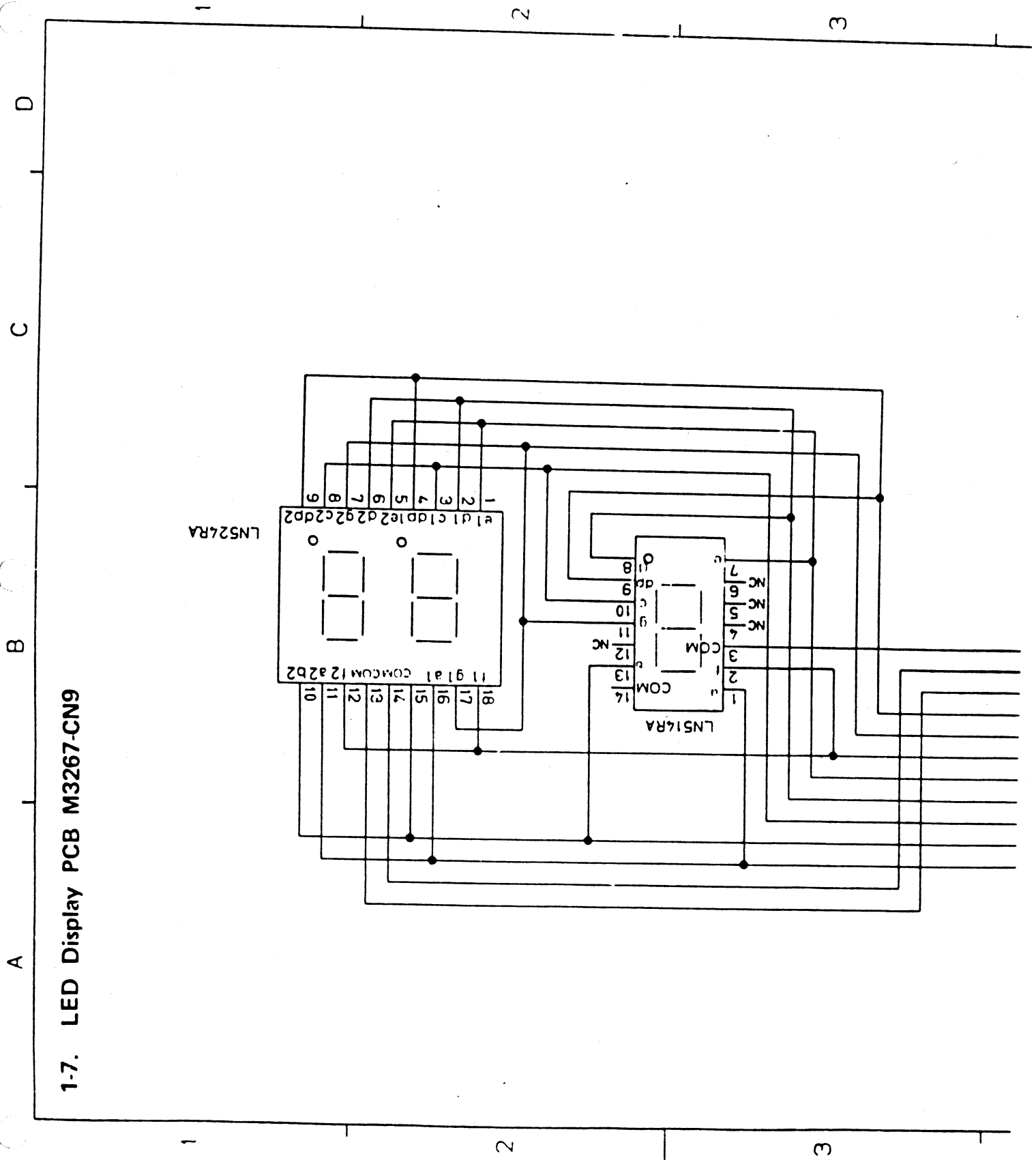
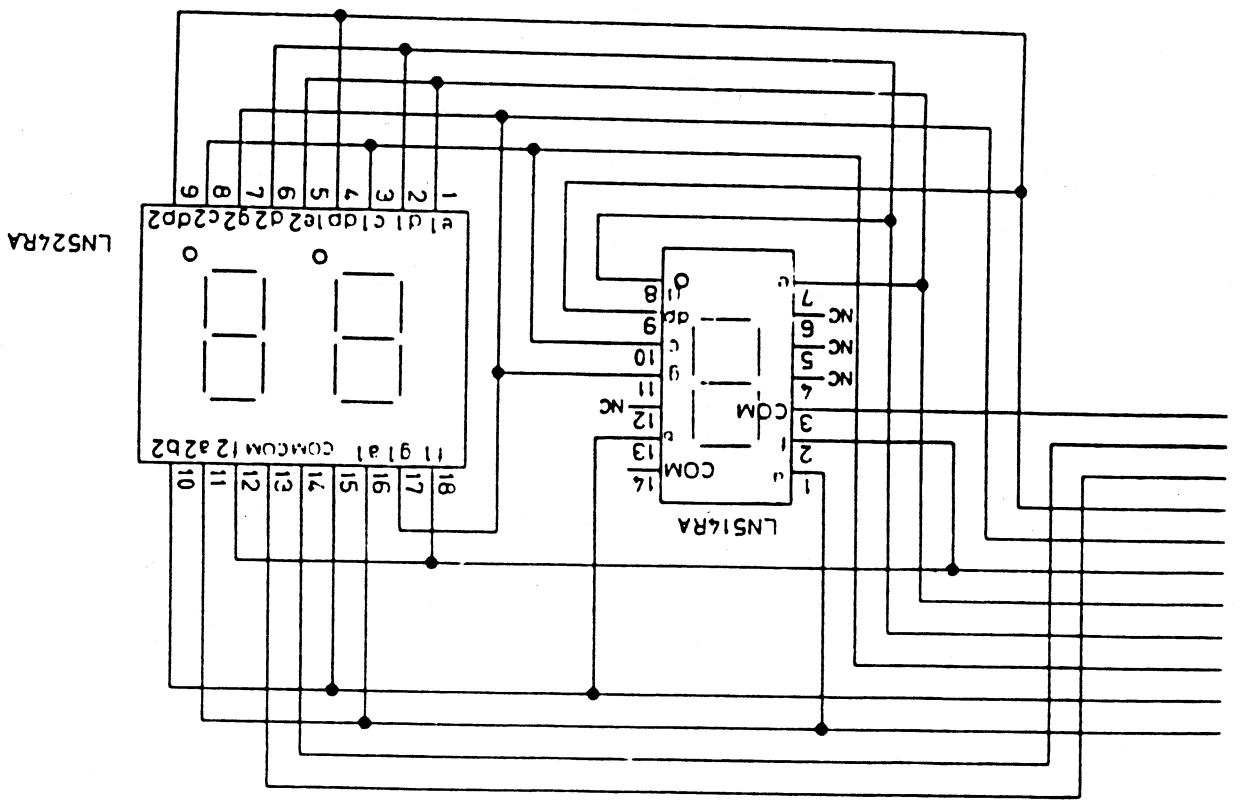
Clock pulse generator

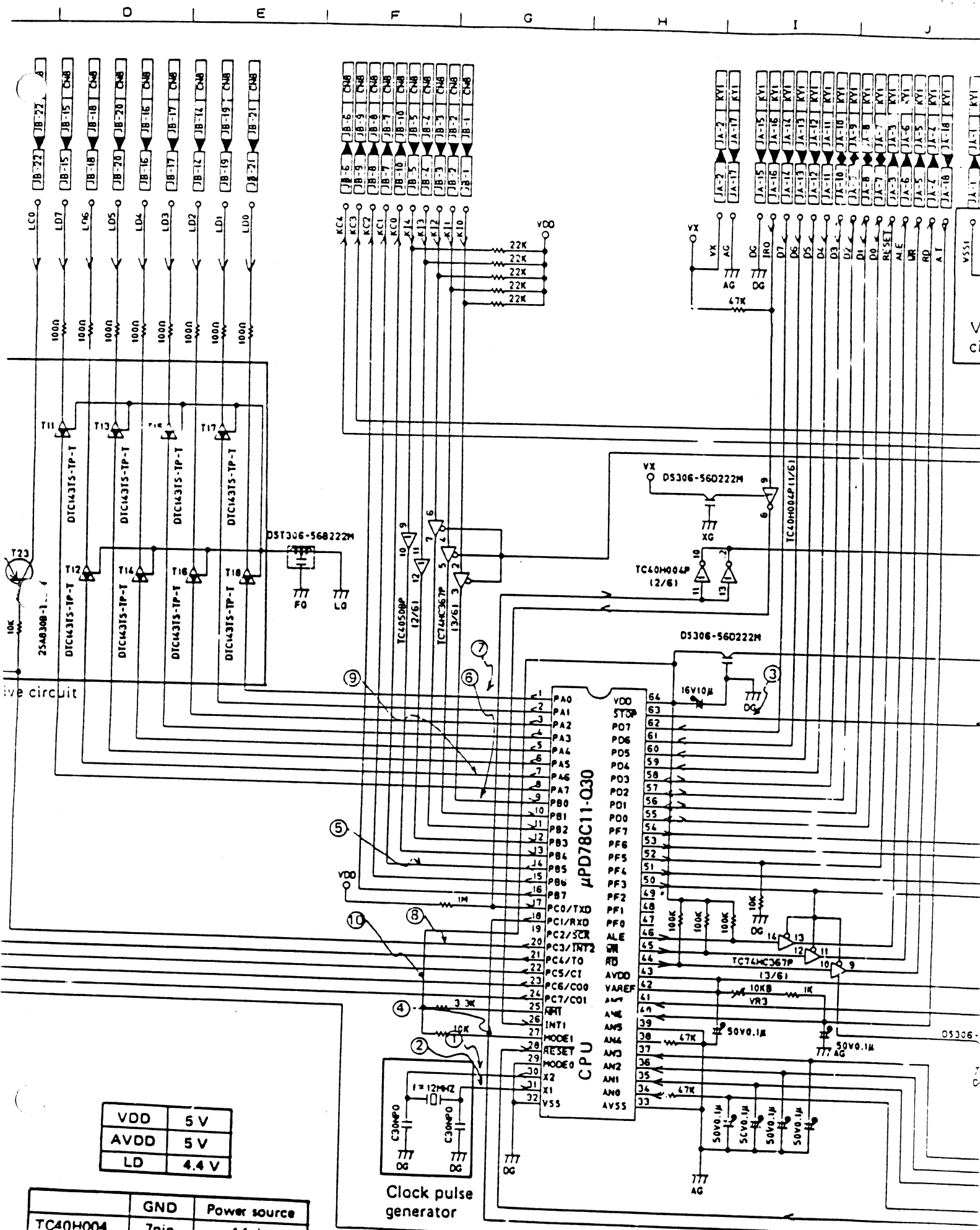
APD78C11-030 CPU

ive circuit

D E F G H I J

1-7. LED Display PCB M3267-CN9

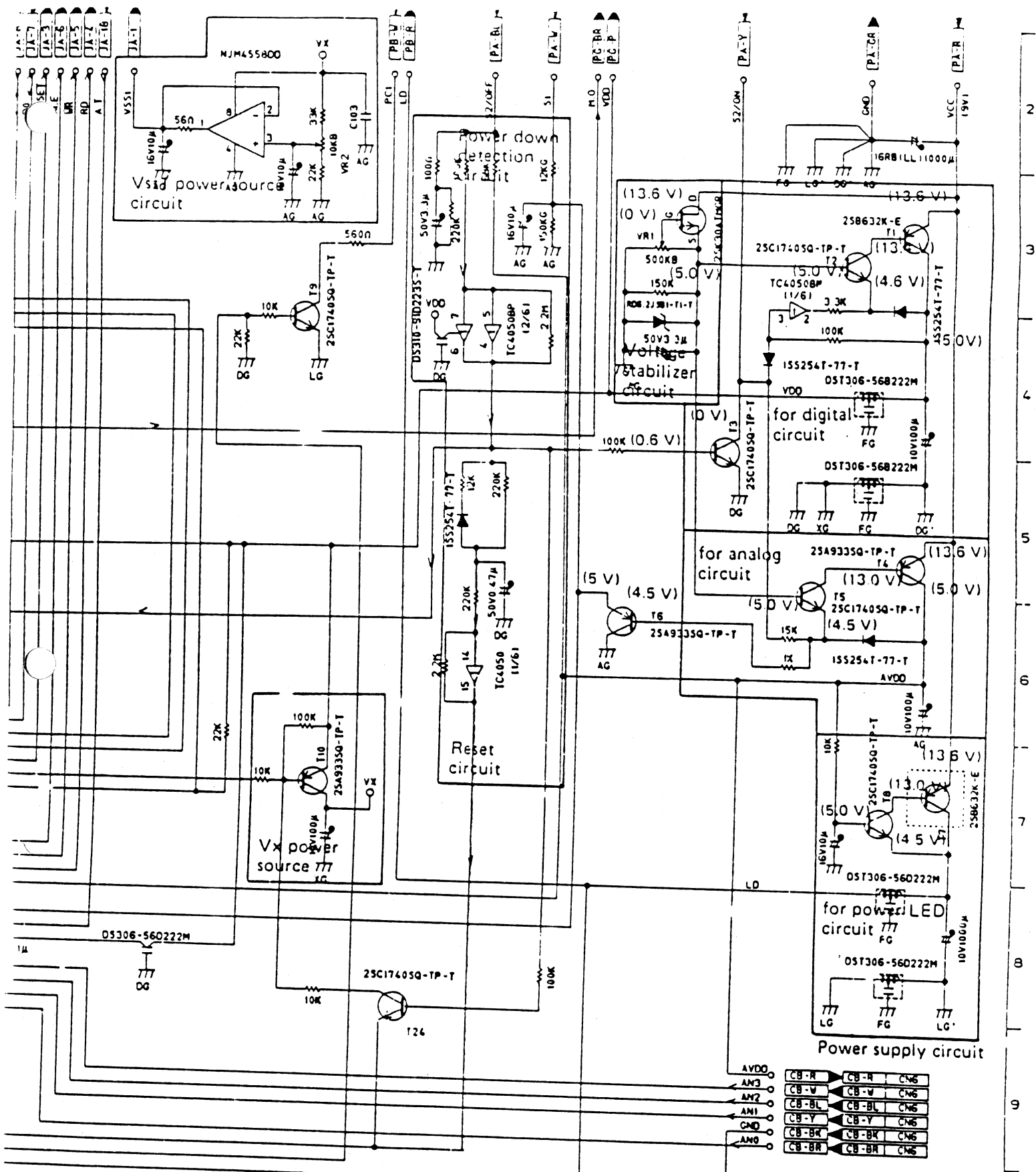




VDD	5 V
AVDD	5 V
LD	4.4 V

Clock pulse generator

	GND	Power source
TC40H00A	7pin	14pin



Note: Voltages in shown () is using AD-5.